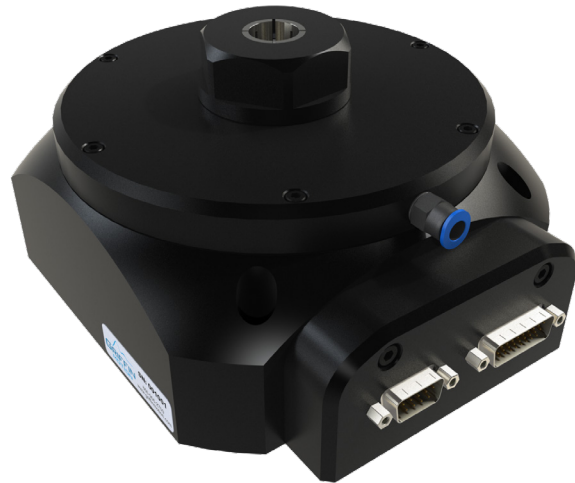


## Precision Rotary Collet Stage

### FEATURES

- Continuous 360° rotation
- High resolution encoder
- Brushless DC motor
- Ø 16.00mm through bore
- Spring close, pneumatic open collet
- Accepts ER25 type collets



The RCS series rotary stages are designed for precise positioning and workholding to suit a variety of applications. The brushless direct drive technology eliminates backlash and improves reliability by eliminating sliding friction throughout the stage. The air-open, spring-close system allows for a range of collet sizes with exceptional runout capability.

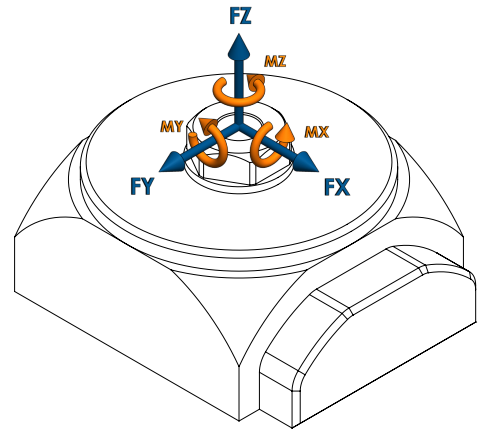


RCS-150-AD-BB-E-ER25-00

Motion Specifications

Product Specifications

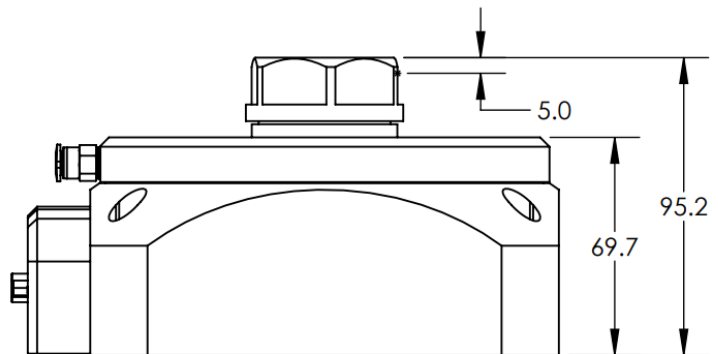
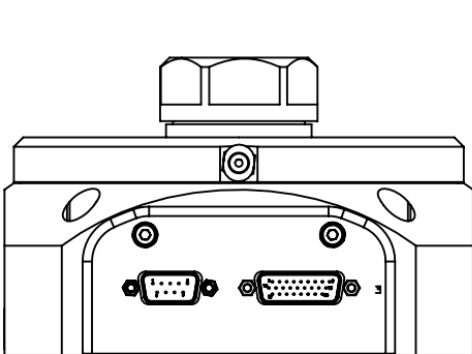
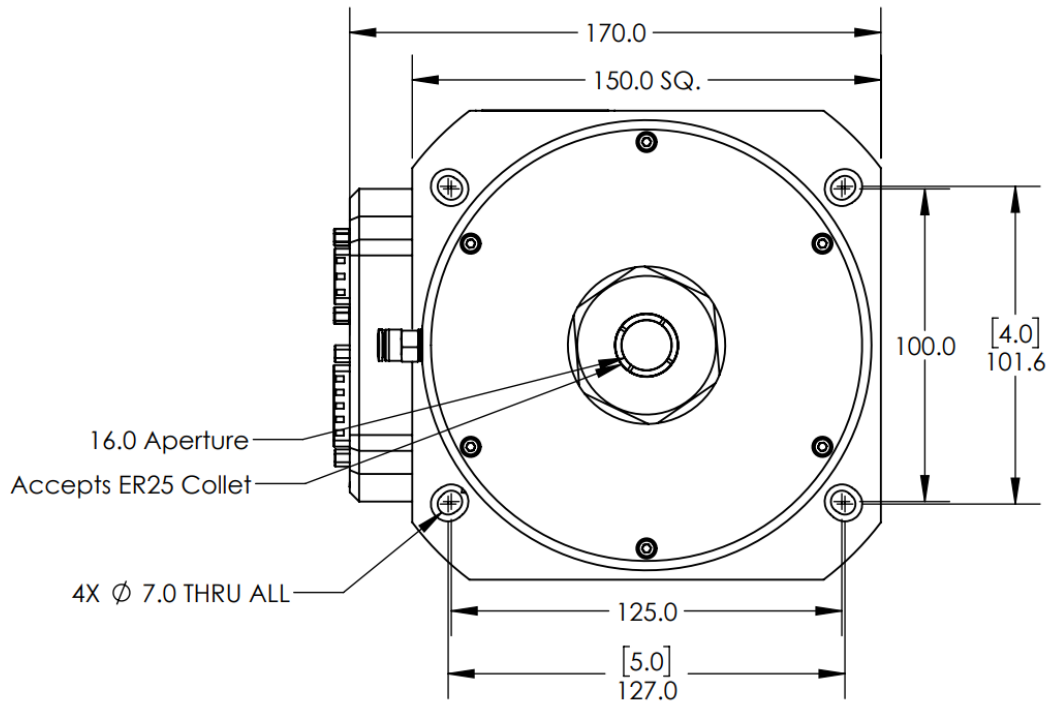
Air Pressure Range (PSI)	60-90
Air Quality Required	Dry Air, 1µm Maximum Particulate Size
Angular Accuracy +/- (arc-sec)	30
Angular Repeatability +/- (arc-sec)	4
Angular Velocity (deg/s)	3600
Collet Type	ER25
Encoder Output	1Vpp Sin and Cos, index
Height (mm)	95.2
Length (mm)	170
Maximum Aperture (mm)	16
Peak Torque (Nm)	3.8
Radial Runout of gage pin in collet (µm)	<30
Rotational Inertia (kg-m <sup>2</sup> )	0.002465
Stage Mass (kg)	3.6
Travel Range (deg)	360
Through Bore (mm)	16
Width (mm)	150



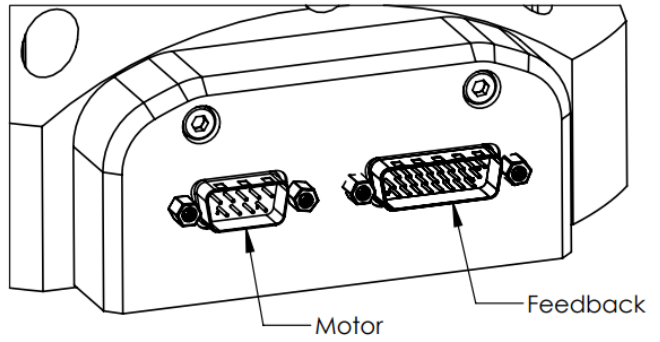
LOAD DIRECTIONS

Part Number Description

RCS	RCS Series
150	150mm Diameter
AD	Brushless Motor
BB	Glass Disk, 18000 Line Pairs
E	1Vpp Encoder Output
ER25	Accepts ER25 Collets
00	Standard Product (Call for custom)



Feedback Connector (DSUB26HD MALE)	
PIN	NAME
1	+5V
2	SIN+
3	COS+
4	INDEX+
5	*
6	*
7	*
8	*
9	*
10	TEMP
11	SIN-
12	COS-
13	INDEX-
14	*
15	*
16	*
17	*
18	*
19	GND
20	HALL A
21	HALL B
22	HALL C
23	*
24	*
25	*
26	*
* Reserved	



Motor Connector (DSUB9 MALE)	
PIN	NAME
1	*
2	*
3	*
4	*
5	*
6	PHASE A
7	PHASE B
8	PHASE C
9	*
* Reserved	



<b>Motor Specifications</b>	
Motor Type	3 $\Phi$ Brushless DC
BEMF Constant (V/KRPM)	50.0
Electrical Time Constant (ms)	1.9
Max Bus Voltage (VDC)	340
Max Continuous Current ( $A_p$ )	6.26
Motor Torque Constant (N·m/A)	0.410
Peak Current ( $A_p$ )	10.69
Pin to Pin Inductance (mH)	7.48
Pin to Pin Resistance (ohm)	3.86
Poles per Revolution	28

<b>Feedback Specifications</b>	
Supply Voltage (V)	5.0 $\pm$ 10%
Supply Current (mA)	250
Encoder Feedback	Yes
Encoder Type	Incremental
Encoder Output	1Vpp Sinusoidal; Sin, Cos, Index; Differential Pairs
Hall Switch Output	Open-Collector, No Pullup Resistor
Hall Switch max current (mA)	-20
Limit Switches	No

The encoder has one index mark. It will output a pulse once per revolution when this index mark is passed. This pulse is highly repeatable and can be used to find an absolute position (within one revolution of the output shaft) upon power-up.