

Precision Linear Motion Platform

FEATURES

- Compact Low-Profile Design
- 150mm Travel
- Zero backlash, precision ground ball screws
- Optical limit switches with home
- Stepper motor drive
- Crossed Roller Bearings



The LNS-BS Series stages are designed for a variety of applications. This compact low profile ball screw stage is built for high duty cycles and long life for factory automation and semiconductor processing equipment. This stage has exceptional levels of accuracy, repeatability, flatness and straightness. The crossed roller bearings and a precision ground ball screw offer extremely smooth operation and velocity control. The LNS-BS Series stages can be stacked to create X, Y and Z motion. The stage can operate in any orientation.

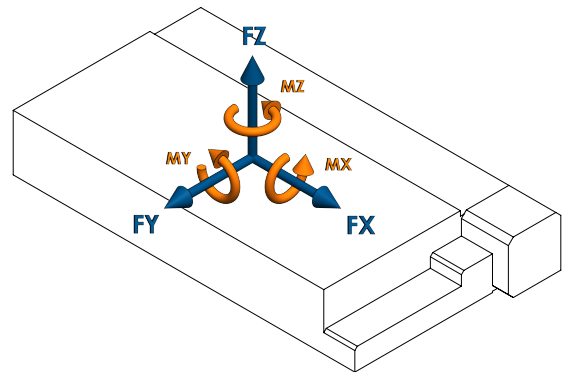


LNS-150-BS-B-N-S-0-00

Motion Specifications

Product Specifications

Force X (N)	75
Force Y (N)	300
Force Z (N)	600
Flatness (μm)	6
Height (mm)	45
Length (mm)	310
Limit Switches	Yes
Linear Accuracy (μm)	20
Linear Repeatability (μm)	2
Linear Velocity (mm/s)	25
Moment X (N-m)	70
Moment Y (N-m)	290
Moment Z (N-m)	130
Moving Mass X (kg)	2.06
Pitch +/- (arc-sec)	12
Screw Lead (mm)	2
Stage Mass (kg)	4.46
Stepper Motor Resolution (Whole Steps/rev)	400
Straightness (μm)	6
Width (mm)	153
Yaw +/- (arc-sec)	12

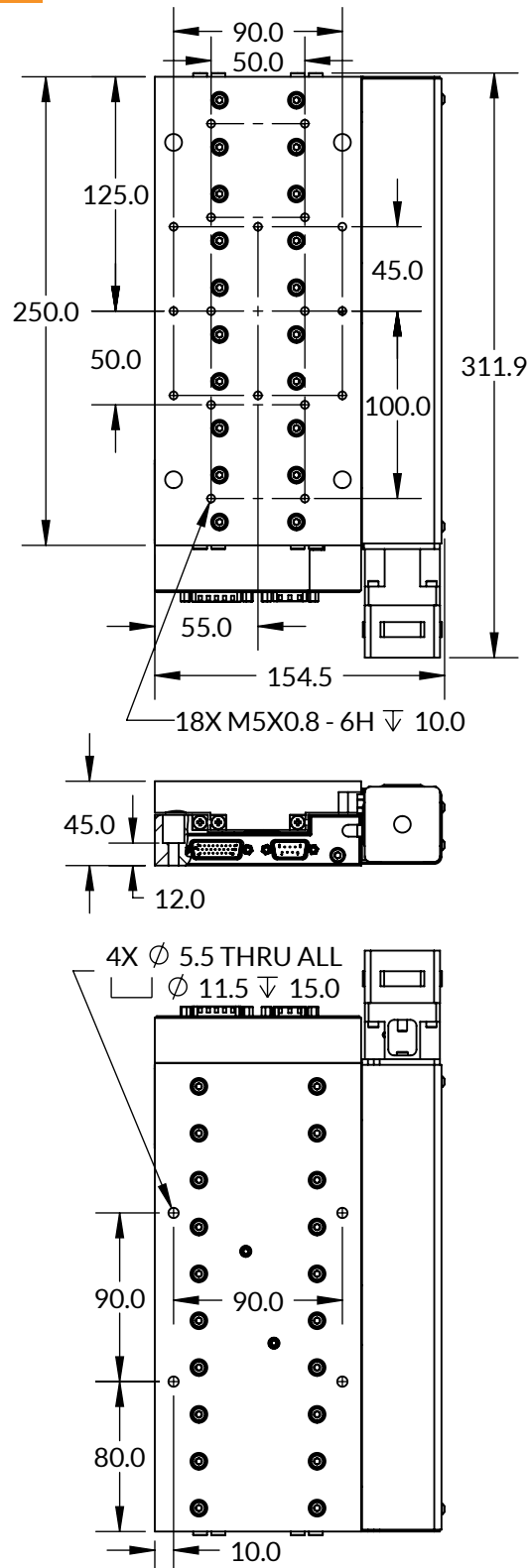


LOAD DIRECTIONS

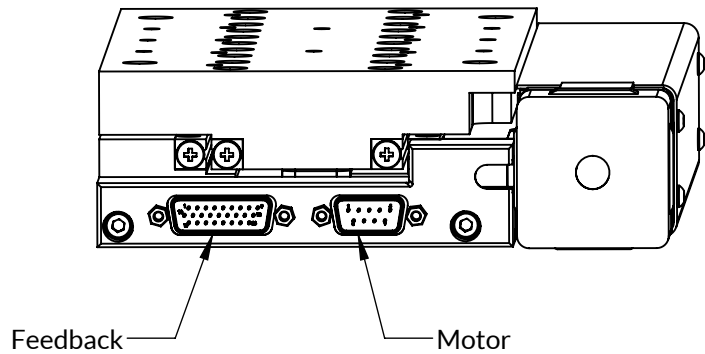
Part Number Description

LNS	LNS Series
150	150mm Travel
BS	Ball Screw Drive
B	Stepper Motor
N	Limit and Home Switch Only
S	Standard Precision
0	No Additional Options
00	Standar Product (Call for custom)

Mechanical Specifications



Feedback Connector (DSUB26HD MALE)	
PIN	NAME
1	+5V
2	*
3	*
4	*
5	LIM+
6	*
7	*
8	*
9	*
10	*
11	*
12	*
13	*
14	LIM-
15	*
16	*
17	*
18	*
19	GND
20	*
21	*
22	*
23	HOME
24	*
25	*
26	*
* Reserved	



Motor Connector (DSUB9 MALE)	
PIN	NAME
1	*
2	*
3	*
4	*
5	*
6	PHASE A+
7	PHASE A-
8	PHASE B+
9	PHASE B-
* Reserved	



LNS-150-BS-B-N-S-0-00

Electrical Specifications

Motor Specifications	
Motor Type	Bipolar Stepper
Current/phase (A)	0.8
Resistance/phase (Ω)	10.0
Induction/phase(mH)	6.9

Feedback Specifications	
Supply Voltage (V)	5.0 \pm 10%
Supply Current (mA)	250
Encoder Feedback	No
Limit Switches	Yes
Limit Switch Output Type	CMOS
Limit Switch Output current (mA)	\pm 20.0
Home Switch	Yes
Home Switch Output Type	CMOS
Home Switch Output current (mA)	\pm 20.0

A home switch is provided near center mechanical travel and a limit switch at each end of travel. The limit switches will be pulled low throughout the travel range of the stage. The output will swing high at the end of travel and remain high until the mechanical limit is reached.